

# Built to Perform Backroom Optimization



## Operational Uptime

The 880 Auto Wrapper is built for the most demanding meat and seafood operations. The machine is robust and durable, easy to operate and easy to clean. To safeguard operational uptime, the 880 Auto Wrapper comes with fixed services during planned operational downtimes.



## Total Cost of Ownership

The 880 Auto Wrapper is designed to control the total cost of ownership. The machine is easy to use, helping retailers avoid long training times. With a operational footprint of 20 ft<sup>2</sup> – one of the smallest footprints for a fully automated wrapper on the market – the 880 Auto Wrapper matches the highest demand.



## Increased Productivity

The 880 Auto Wrapper produces the perfect wrap every time. The machine makes it fast and easy for every operator to control production runs with the tactile keypad and touchscreen. Operators can load trays quickly, as the wrapper automatically moves the tray into the proper position for wrapping.



## 880 Auto Wrapper Automatic, integrated wrapper

The METTLER TOLEDO 880 Auto Wrapper is the perfect choice for grocery retailers looking for an efficient and robust system for automated weighing, wrapping and labeling in the backroom. Easy handling, comprehensive functionality, and reliability – as well as a proactive service and maintenance offering – make the 880 Auto Wrapper the perfect machine for retailers who wish to optimize their operational uptime and total cost of ownership while easily keeping pace in the highest volume meat backrooms.

- Easy tray placement
- Intuitive user-interface: Touchscreen and tactile keyboard
- Easy cleaning with washable in-feed tables and lifts
- Simple and fast loading of label and film rolls
- Minimal footprint

### The Ideal Choice for Total Backroom Optimization

The high-performance 880 Auto Wrapper is the ideal choice for food retail backroom operations. Robust, intuitive, and efficient, the 880 Auto Wrapper supports weighing, wrapping and labeling for optimized backroom processes.



#### Technical data

### 880 Auto Wrapper

#### Speed

35 packs-per-minute

#### Tray sizes

1S, 2S, 17S, 20S, 4S, 8S, 9, 10S, 16S, 12S, 7, 25S, 10x14

#### Film size

10", 12", 14", 16", 18", 20", 21"

#### Film select

Programmable  
Accommodates two rolls

#### Footprint (ft<sup>2</sup>)

20 ft<sup>2</sup>

#### Configuration

Exit right front standard

#### Machine weight

850 lb / 390 kg

#### Operating Range

40°F – 95°F (5°C – 35°C)

#### Label Sizes

##### (Auto Application)

1.1" – 4.1" length  
1.4" – 3.1" width

#### Labeler Options

Single printer applicator  
Two printer applicator  
Bottom labeler

#### Electrical

208 or 240 VAC, Single Phase,  
50-60Hz, 3 kVA, 15 A

#### Controller

880 Auto Wrapper Weigh/Wrap/Label  
Controller, Embedded Linux OS,  
Compact Flash Memory

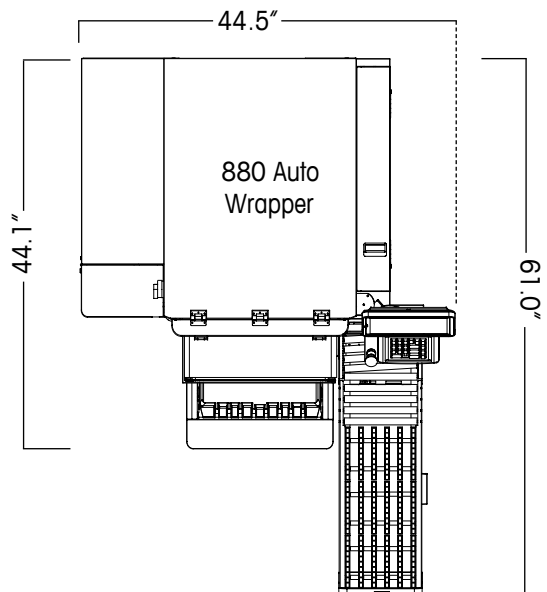
#### Display/Keyboard

LED Wrapper Panel  
Color LCD Touchscreen  
Tactile Keypad

#### PLU Presets

300

#### Dimensions in inches



[www.mt.com/retail](http://www.mt.com/retail)

For more information



ISO 9001 quality management certification  
ISO 14001 environmental management certification

Subject to technical changes.  
© 9/2015 Mettler-Toledo, LLC  
Printed in USA RDB018.0E  
Global MarCom Switzerland

